

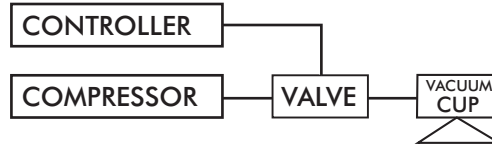
EcoCup™ WITH ecoSmart TECHNOLOGY creates vacuum without AIR!

Great for pick-and-place applications of flat, rigid, non-porous parts including: plastic, glass, solar panels, and electronics, as well as other consumer goods with smooth, flat surfaces.

The EcoCup™ features:

- Light-switch operation
- Ultra-fast actuation
- Noise-free operation
- Easy installation and setup
- Reduced maintenance costs
- Easy optional mounting to Scara robots
- Eliminated risk of air-borne contaminants and tested to over 5 million cycles.

The **OLD** way
with a Typical Pneumatic Setup



The **NEW** way
Using the new EcoCup™

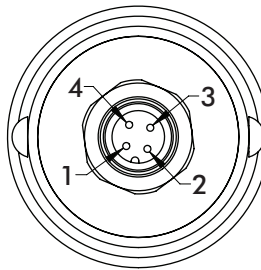


**No fittings,
no valves, no hoses,
no compressor, and
absolutely no AIR!**

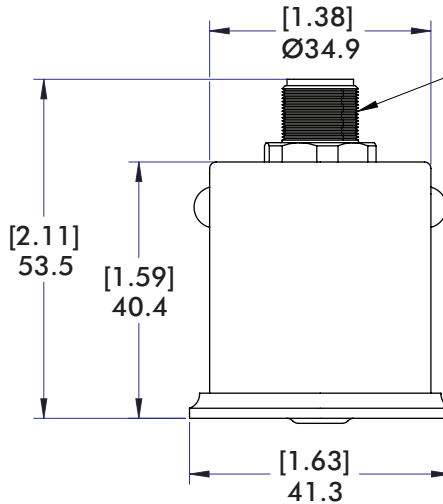
EcoCup™ EC40 Electric Vacuum Cup Assembly



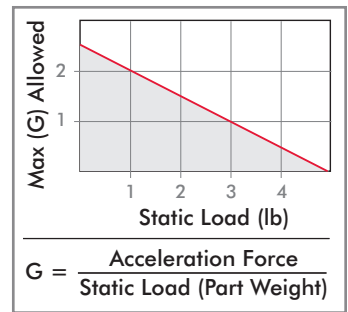
Patent Pending



M12 4-PIN (MALE)
CONNECTOR FACE VIEW
1: NOT USED
2: NOT USED
3: -0 VDC
4: +24 VDC



M12 4-PIN (MALE)
CONNECTOR
(ECOCUP™ MOUNT)



Specifications	VC-EC40-45N
Actuation Time	25 ms
Temperature Range	5° ~ 60°C [41° ~ 140°F]
Duty Cycle	50% (½ On, ½ Off)
Voltage	24 VDC
Current	0.5 Amp
Weight	0.12 kg [0.25 lb]
Cup Material	45 Durometer Nitrile

EcoCup™ EC40 Electric Vacuum Cup - Operation

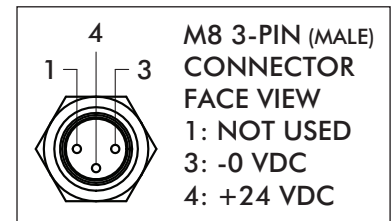
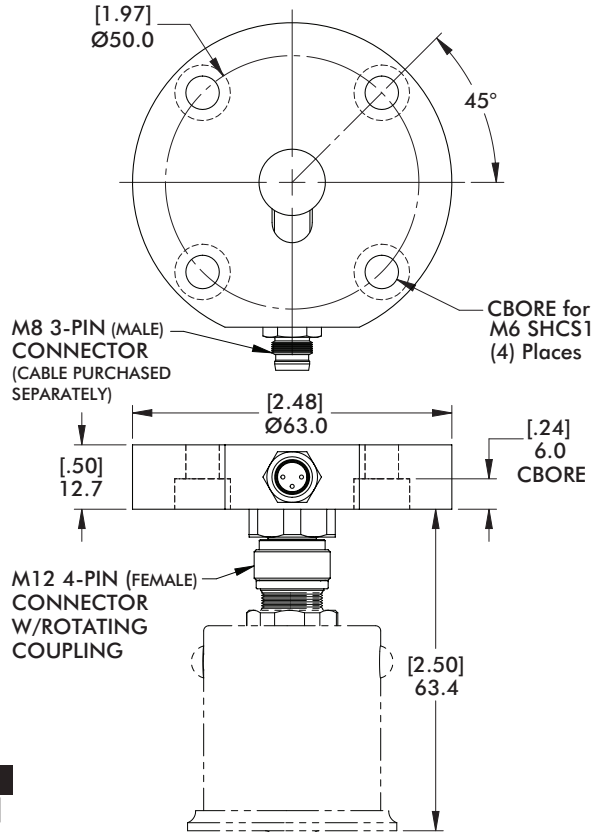
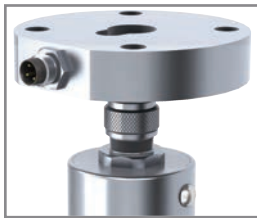
Holding Capacity	VC-EC40-45N
Recommended Load	<0.45kg [1.0 lb]

Loads from 0.45kg [1.0 lb] up to 1.81kg [4.0 lb] max. may be used with longer movement times. (See chart in drawing area for greater detail).

Operating Instructions:

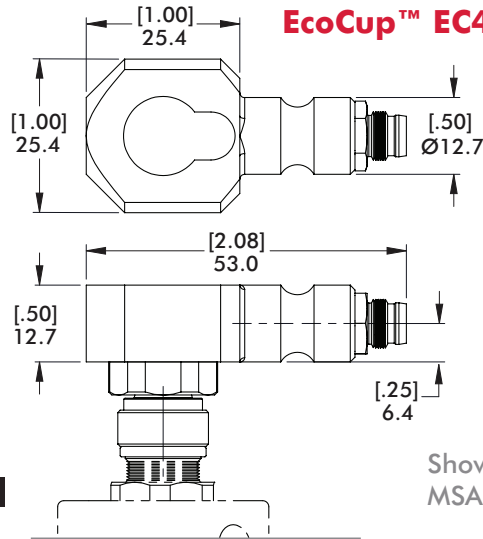
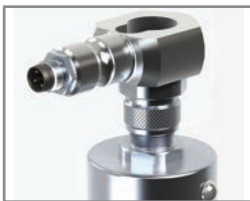
1. Set cup on smooth, flat surface of part.
2. Apply 24VDC to Pins 3 and 4 on M12 connector. (Center of cup lifts, creating vacuum)
3. Release voltage and part is released.

EcoCup™ EC40 Optional Scara Robot Mounting Plate



Model	Weight
VC-EC40-SRM50	111g [3.9 oz.]

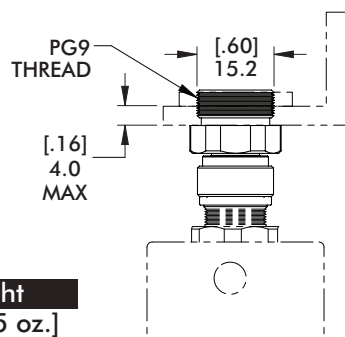
EcoCup™ EC40 Optional Apple Core Mounting



Shown with DE-STA-CO MSA Series Swivel Arm

Model	Weight
VC-EC40-ACM50	40g [1.4 oz.]

EcoCup™ EC40 M12 4-Pin Connector with Rotating Coupling (Contact DE-STA-CO for Custom Solutions)



Shown with custom plate for array mounting

Model	Weight
Turck #FKM 4.4-0.5	14g [0.5 oz.]